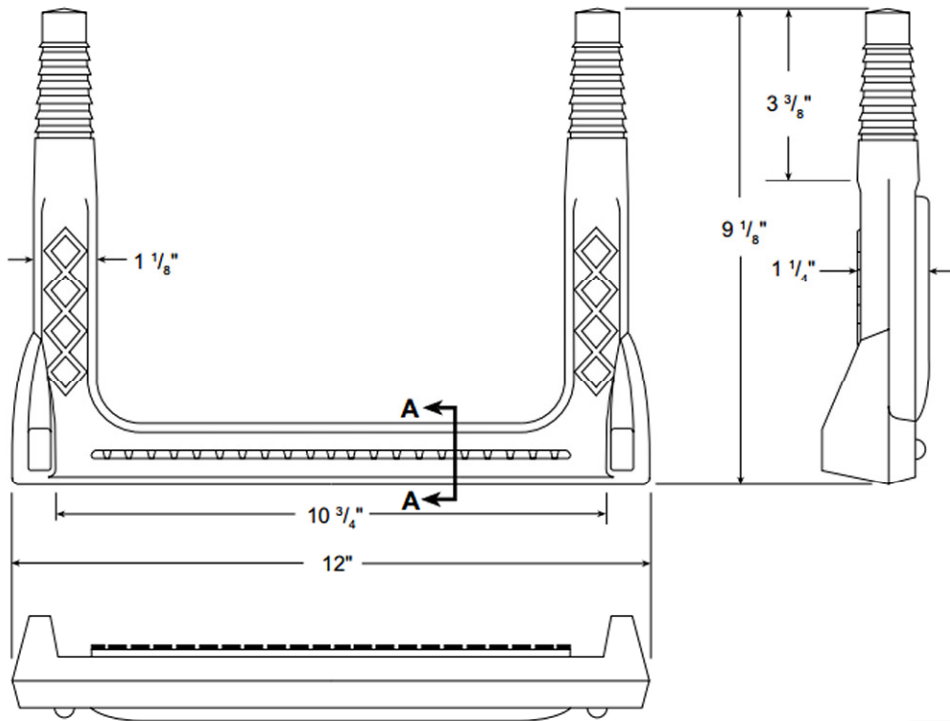
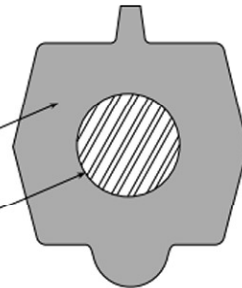


Manhole Step

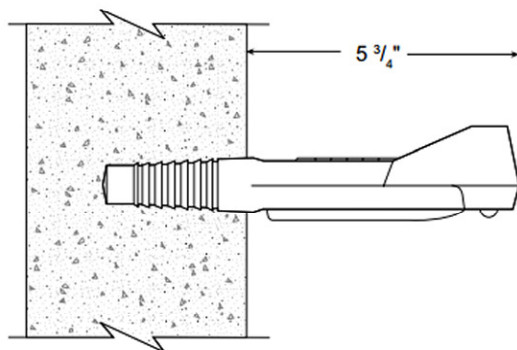


Copolymer Polypropylene Plastic

$\frac{1}{2}$ " Grade 60 Steel Reinforcement



Section A-A



Materials

Copolymer Polypropylene Plastic

$\frac{1}{2}$ " Grade 60 Steel Reinforcement

TITLE

Manhole Step

VOLLMAR

CLAY PRODUCTS COMPANY

1-773-774-1234